

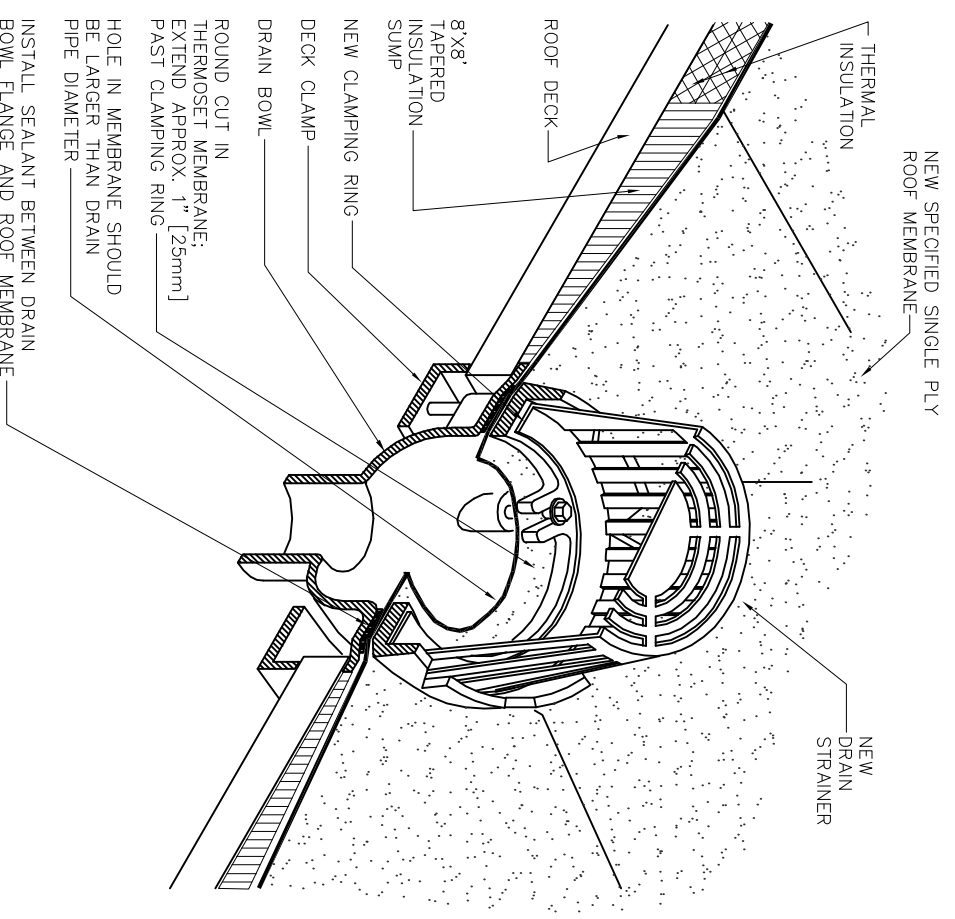
PROJECT TITLE :  
**ROOF REPLACEMENT**

2015

JOB NO.,	
DRAWN BY :	
CHECKED	
SCALE	
DATE	3/25/2015
CAD FILE	
SHEET	

DRAWING NO.

4005



- NOTES:
1. THE USE OF A METAL DECK SUMP PAN IS NOT RECOMMENDED. HOWEVER, DRAIN RECEIVER/BEARING PLATES ARE APPLICABLE WITH SOME PROJECTS.



**ROOF DRAIN**